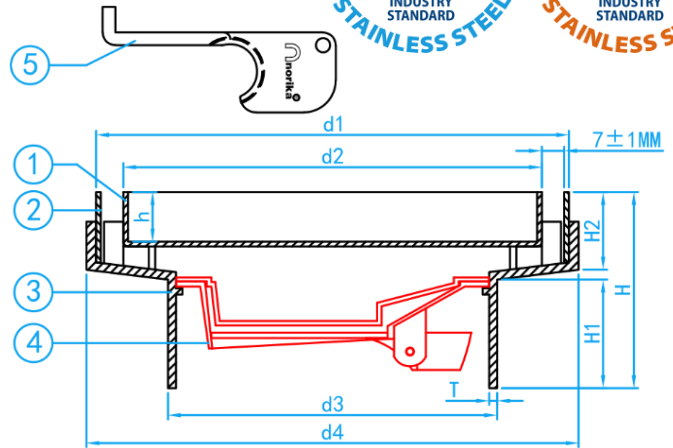


STAINLESS STEEL DECORATIVE SMARTDRAIN

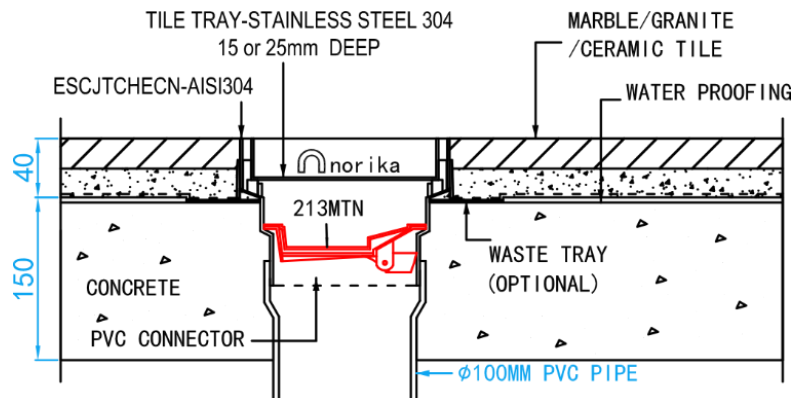
COMPLY WITH SS213:1998



INSTALLATION EFFECT



CROSS SECTIONAL VIEW



CHARACTERISTIC	
Main function	Drainage, sealing
Surface treatment	Hairline
Applications	Sleek and modern smartdrain for use in residential, hotels, apartments, office buildings. HDB. Villas

COMPONENT PARTS		
ITEM	PARTS	MATERIAL
1	Tray	AISI304L / AISI316L
2	Frame	AISI304L / AISI316L
3	Base	UPVC
4	Filter	UPVC (213MTNB)
5	Key	PBT

DIMENSIONS

SKU	Material	d1 (mm)	d2 (mm)	d3 (mm)	d4 (mm)	H (mm)	H1 (mm)	H2 (mm)	h (mm)	T (mm)	WEIGHT (Kg)	PCS/CTN
SMARTDRAIN150T-HDB	AISI304L	148	131	103	154	62	34	25	15.5	2.5	0.65	20
SMARTDRAIN150M-HDB						72		35	25.5			
SMARTDRAIN150T-HDB316	AISI316L	148	131	103	154	62	34	25	15.5	2.5	0.65	20
SMARTDRAIN150M-HDB316						72		35	25.5			